
Average Pressure High Efficiency Radial Ventilators

Series BOR



İNCİRCİOĞLU
VANTİLATÖR, KLİMA İMALAT SAN. VE TİC. LTD. ŞTİ.

Economical BOR series ventilators are composed of sections that explained below. Generally BOR type ventilators are used for material transportation, used for places where average pressure air needed and used for other specific purposes.

BODY

BOR type ventilators have welded construction which can stand pressure, does not vibrate and seals the air inside. Standard body is made of stainless steel. Chrome-nickel or different material production is available for specific demands.

IMPELLER

Standard impeller is made of stainless steel however chrome-nickel or special composition impellers can be produced by special request. Impellers are put in to service after checking and correcting their dynamic and static balances.

MOTOR

Motors are direct drive with 3000 rpm (any requested voltage). Belt drive and elastic coupling can be used for special applications.

BASE

Base of the ventilator can be mounted to the floor by bracket connection points.

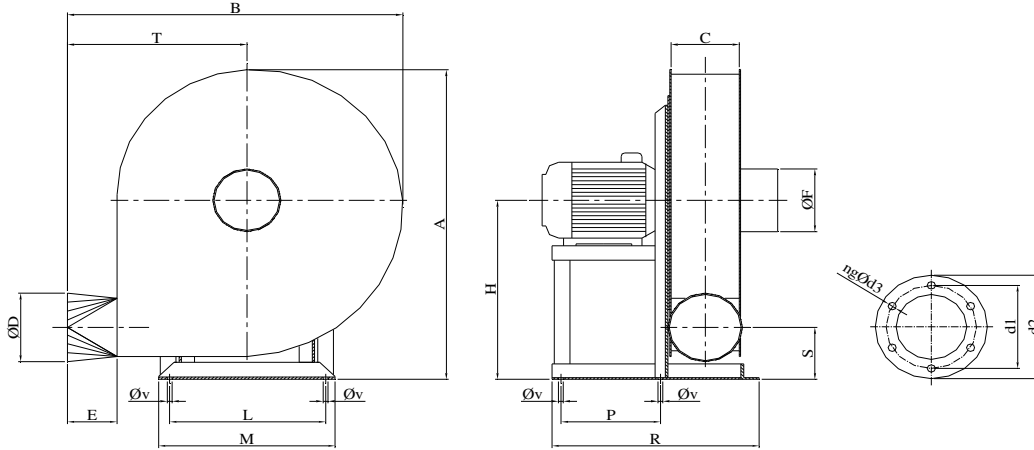
SUCTION POINT

Suction point has wire nettings to prevent large objects to be sucked in. Circle and flange suction mouth can be produced upon special demand.

OUTFLOW POINT

BOR type ventilators have standard circle outflow points. Flange outflow points can be produced upon special demand.

BOR Series Average Pressure Radial Ventilators Dimension Table



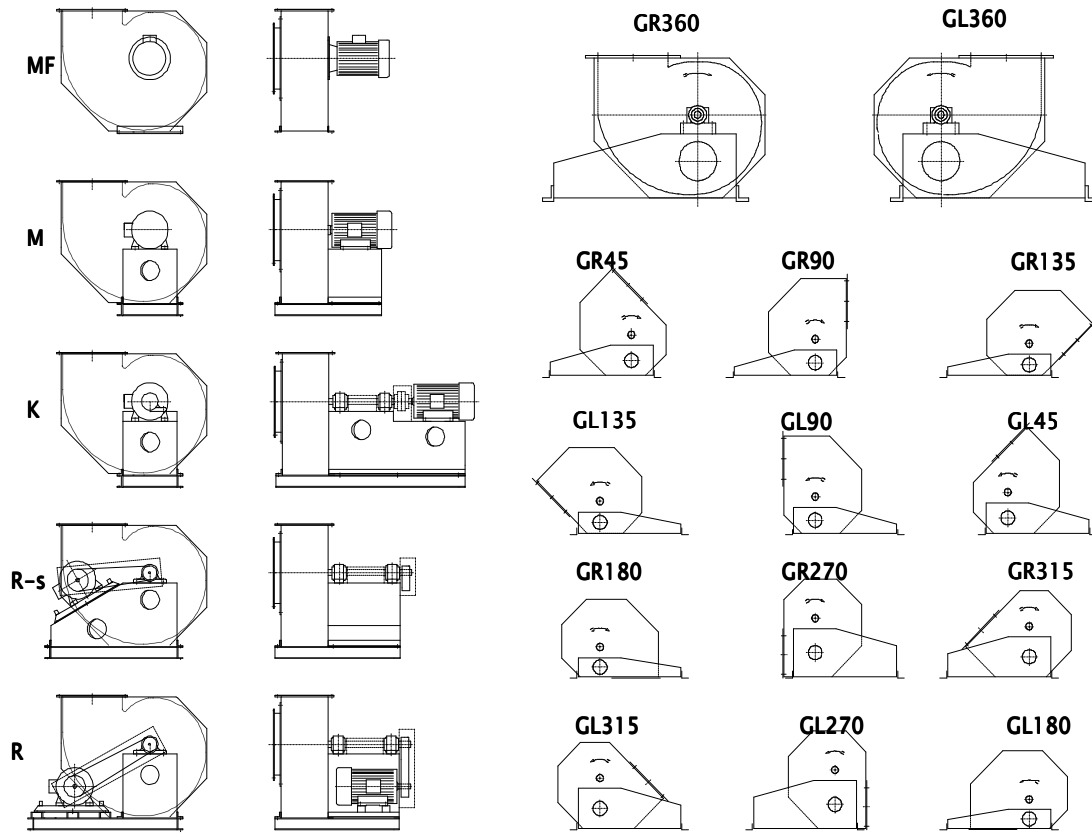
Type	Motor Power and RPM		A mm	B mm	C mm	ØD mm	E mm	ØF mm	H mm	L mm	M mm	P mm	R mm	S mm	T mm	Øv mm	Nut Dimension
	kW	rpm															
BOR 1	0.37	2850	470	506	95	110	110	100	273	202	235	145	307	92	290	8.5	M8
BOR 2	0.75	2850	545	570	105	120	110	110	315	227	257	155	330	97	320	8.5	M8
BOR 3	1.1	2850	601	625	105	130	110	120	346	245	274	158	330	100	343	8.5	M8
BOR 4	1.5	2850	625	650	110	140	110	130	357	265	295	180	358	100	355	8.5	M8
BOR 5	2.2	2850	668	690	110	150	110	140	381	270	297	205	385	107	375	8.5	M8
BOR 6	3	2850	712	730	120	160	130	150	414	300	335	215	423	128	402	10.5	M10
BOR 7	4	2850	738	760	120	160	130	170	425	318	356	234	448	124	417	10.5	M10
BOR 8	5.5	2850	822	840	135	175	130	180	469	340	378	255	482	124	450	10.5	M10
BOR 9	7.5	2850	866	875	145	175	130	220	497	336	378	287	526	133	470	10.5	M10

ØD mm	Ø d1 mm	Ø d2 mm	ng unit	Ø d3 mm	Nut Dimension
110	140	170	4	6.5	M6
120	150	180	6	6.5	M6
130	160	190	6	6.5	M6
140	170	200	6	6.5	M6
150	180	210	6	6.5	M6
160	190	220	6	6.5	M6
175	205	235	6	6.5	M6

*The dimensions can be changed without notice.

*Direct drive type dimension table. Please contact us for other types.

Spiral housing positions and dimensions



Standard designation:

BOR a ex / R U 200 M GR360
 | | | | | | | |
 1 2 3 4 5 6 7 8

- 1 = Type designation
- 2 = Abnormal impeller
- 3 = Ex-protection
- 4 = Construction
- 5 = Connection type
- 6 = Type
- 7 = Drive
- 8 = Housing Position

a = Standard impeller, z.B. = Intermediate blades

R = Radial with single inlet, Z = Radial with double inlet

U = Direct tube connection (flange optional),

E = Inlet nozzle, S = Suction Box

MF Direct drive with B5 flange motor

M Direct drive with B3 motor on welded support

K Direct drive by means of an elastic coupling

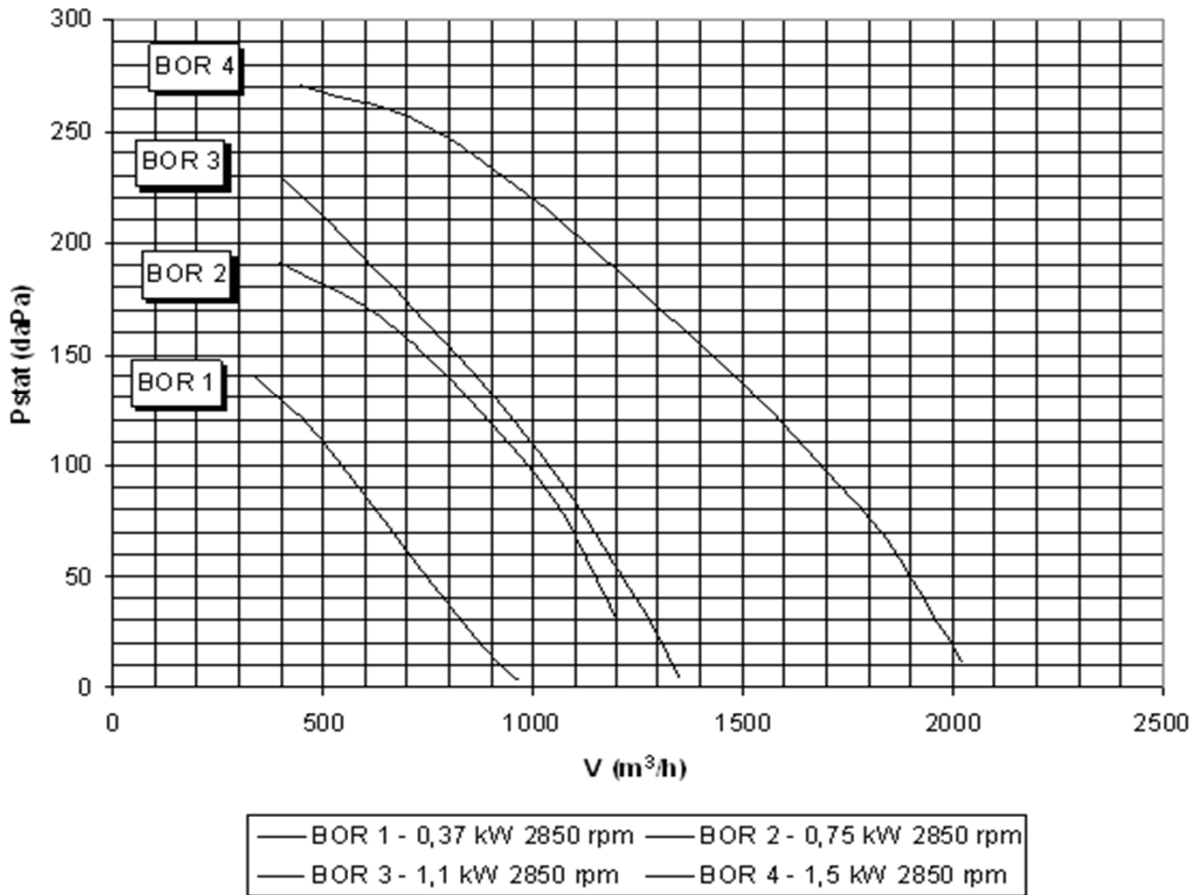
KG Direct drive by means of a coupling or gearing

R Belt drive, motor on base frame

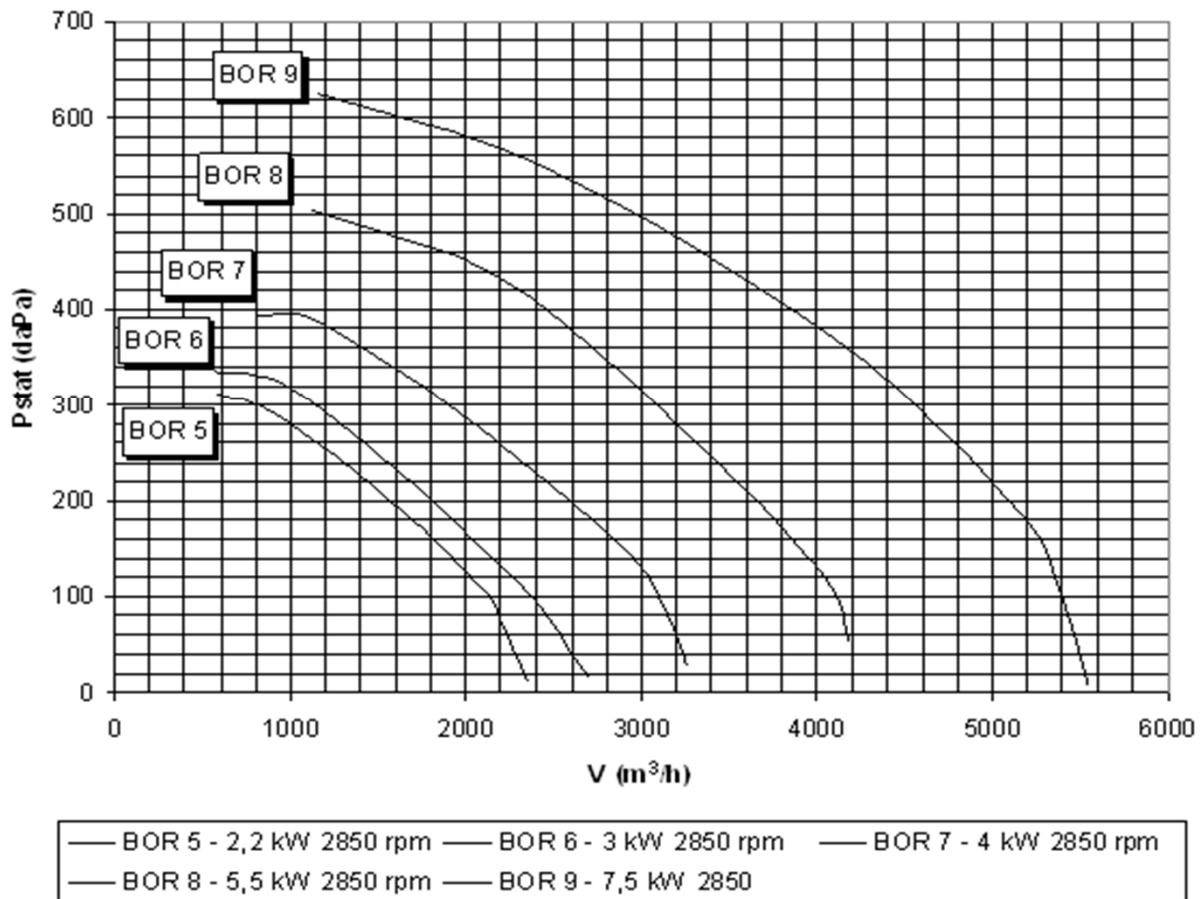
R-s Belt drive, motor on beveled frame

GR = Right handed GL = Left handed

BOR 1 - 4 Performance Curves



BOR 5 - 9 Performance Curves





İNCİRCİOĞLU
VANTİLATÖR, KLİMA İMALAT SAN. VE TİC. LTD. ŞTİ.

Head Office : Çobançeşme Mahallesi, Sanayi Caddesi
Genç Osman Sokak, No.16
Yenibosna / İstanbul / Türkiye
☎ : (0212) 551 1112
Fax : (0212) 654 2776

Factory : Aşağı Sevindikli Köy Yolu Üzeri
Muratlı / Tekirdağ / Türkiye
☎ : (0282) 373 7088
Fax : (0282) 373 7087

www.incircioglu.com
info@incircioglu.com



ISO 9001:2008

