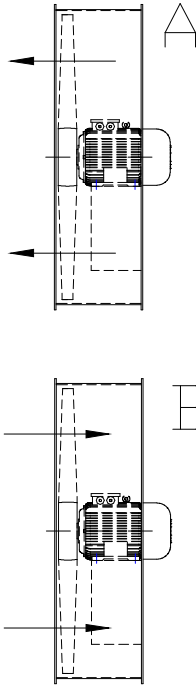




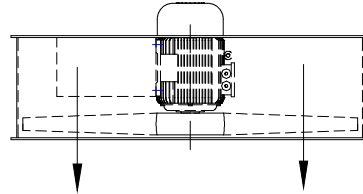
POSITION OF THE MOTOR CONSIDERING THE DIRECTION OF THE AIR FLOW

Horizontal Axis

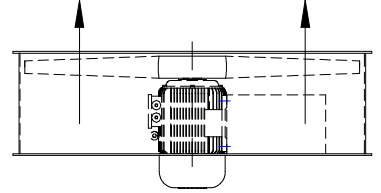


Vertical Axis

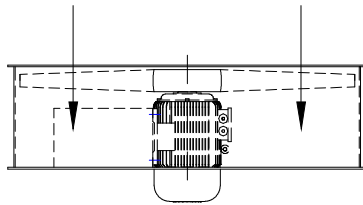
AD



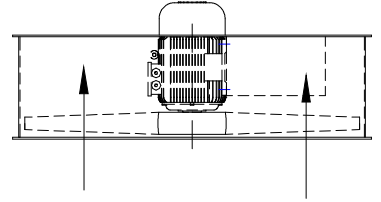
AU



BD

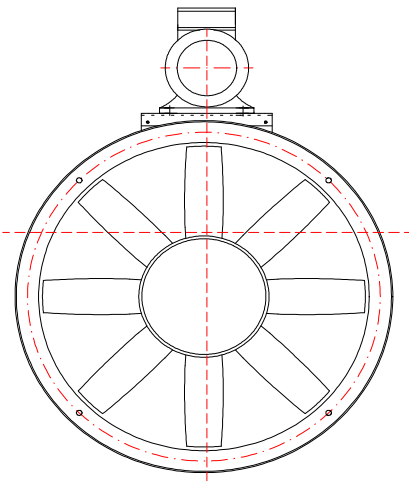


BU



FAN CONSTRUCTIVES EXECUTIONS FOR BELT DRIVEN MODELS

R9



R12

